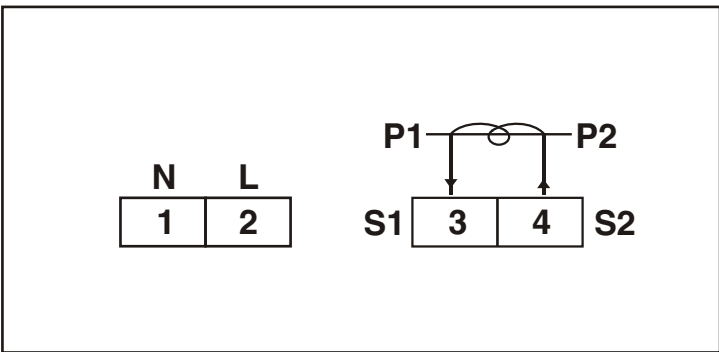




Ordering Information

MA302

Terminal Connections



Technical Specifications

Display	4 digit, 7 segment LED Display
Display Range	0 to 4960 A (scaled as per CT)
Input Range	50 mA to 5A AC, 45 to 65 Hz
Method	True RMS
Accuracy	± 0.5% of F.S.
Measuring Element Drop	0.07 V at 5 A
CT Primary	5, 10, 20, 30, 40, 50, 60, 75, 80, 100, 150, 200, 250, 300, 400, 500, 600, 800, 1000, 1200, 1500, 1600, 2000, 2500, 3000, 4000
Continuous Max. Input Rating	6.0 A AC
Sampling Rate	3 samples / second
Dielectric withstand Voltage	2 kV AC between Auxiliary supply & measuring input
Rated Impulse withstand Voltage	3.5 kV (1.2/50µS)
Supply Voltage	240 VAC, ±20%, 50/60 Hz
Power Consumption	3 VA maximum
Temperature	0 to 50°C
Humidity (non-condensing)	90% RH
Weight	170 gms

Dimensions (in mm)

